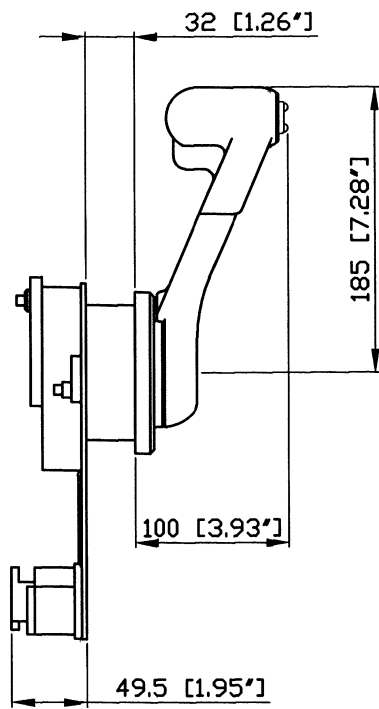
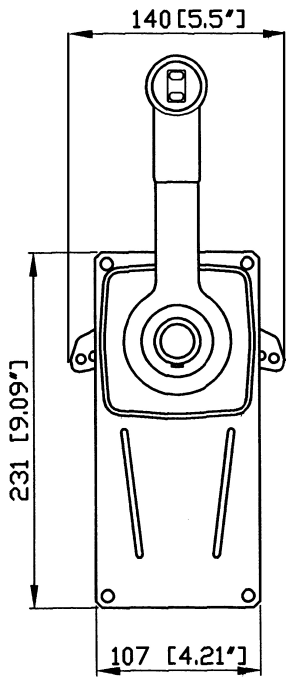


B183 – B184 – B85

DIMENSIONS

6442 Parkland Drive
 Sarasota, Florida 34243 - USA
 P (941) 351-2628
 FAX (941) 360-9171
sales@uflexusa.com
www.uflexusa.com

B183 - B184



B85

