



**OSCOLATI**

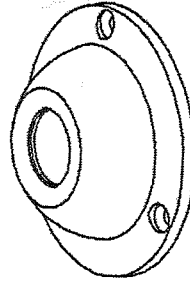
## Code 13.272.00/01

### LED UNDERWATER LIGHT

- Super bright light beam
- LED technology: low consumption, low temperature
- Completely waterproof with multiple internal sealing
- Low profile exterior
- Surface mounting minimizes size of drilling on hull

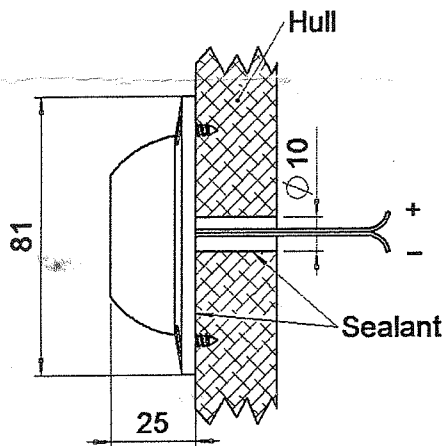
#### LIGHT SPEC.

Light type : High power LED  
No. of LEDs : Two  
Voltage : 12 ~ 28VDC  
Current : 0.4A @12vDC  
          : 0.2A @24vDC



CODE	COLOR
13.272.00	White
13.272.01	Blue

Made in Taiwan



#### Assembly:

- Select a flat surface on hull for installation.
- Drill 10mm (3/8") hole in the hull.
- Drill appropriate sized pilot holes for the mounting screws.
- Apply sealant to the back of housing, filling outer & inner grooves and around screw holes.
- Push the electric cable through the hull slowly and hold the light still while installing the M4 fixing screws. Ensure complete sealing between light and hull. Seal mounting hole.

#### **Attention:**

- Properly seal between light and the hull.
- Do not allow water to contact the back side of fixture and electrical wiring.