

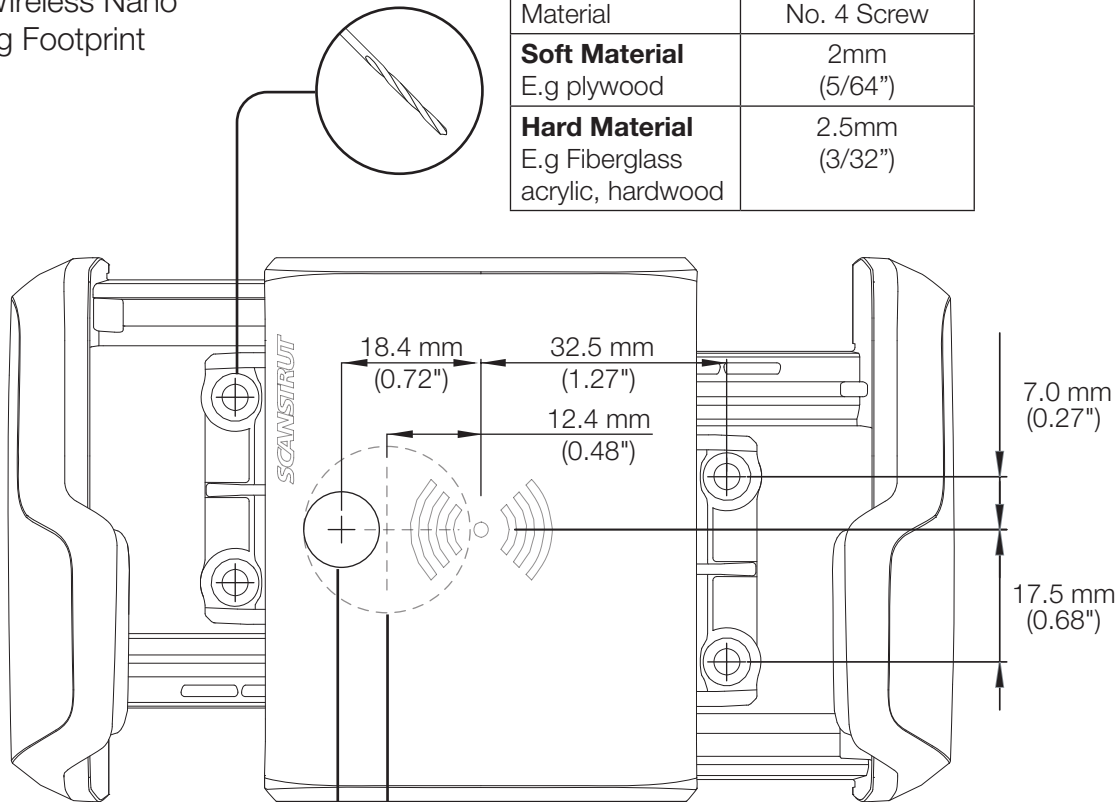
Electrical Information:

Input voltage range	10-30V DC (12/24V system)
Input current max	2A
Output power max	10W (9V, 1.1A)
Standby power draw	< 0.2W
Waterproof rating	IPX6 front and back
Certifications	Qi, CE, UKCA, FCC, IC, ROHS, UNECE R10 E24, RCM, PSE

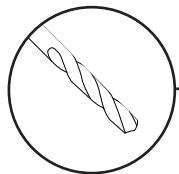
1:1 Diagram
 ROKK Wireless Nano
 Mounting Footprint

Pilot Hole

Material	No. 4 Screw
Soft Material E.g plywood	2mm (5/64")
Hard Material E.g Fiberglass acrylic, hardwood	2.5mm (3/32")



Drill Option A
 ø10 mm (0.39")



Drill Option B
 ø22 mm (0.86")
 For use with fixed cable connectors

