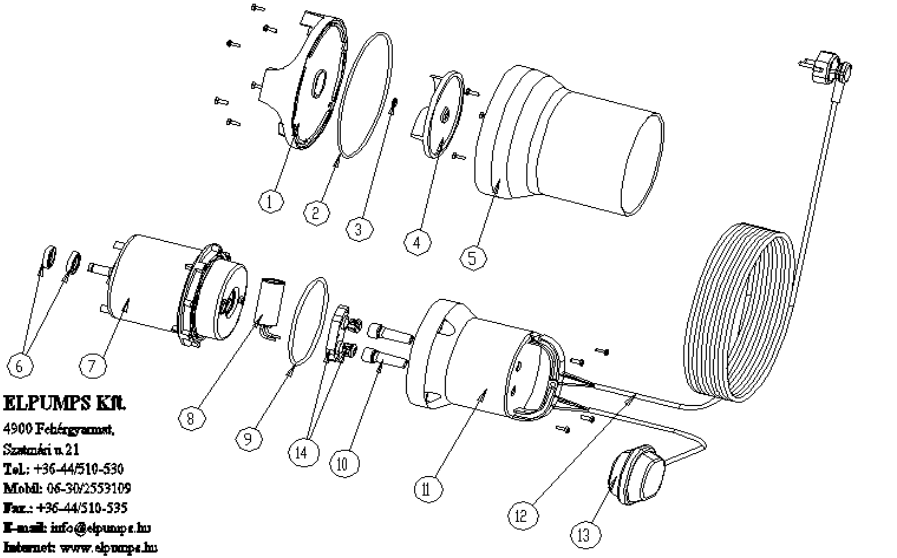


**CT 3274**

14	Out slip protector	BT041	1
13	Floating switch UK5 red	UK5	1
12	Electric cable H05 RNF 3x0,75	EK05	1
11	Plastic cover	PKPP	1
10	Antibreak stuffing box	TG071	2
9	Capacitor 4mF	CT271	1
8	"O" ring 90x4,5	OR90	1
7	Motor complete 600W	CT391	1
6	Spring sealing ring 12x24x7	SSR24	2
5	Hydraulic house+inox tube	CT051	1
4	Impeller	CT361	1
3	nut	M8N	1
2	"O" ring 144,5x3	OR144	1
1	Foot	CT011	1