

# Installing a TracPort Mounting System (ATV/Ute)

## BEFORE INSTALLING:

Attaching the TracPort System to your vehicle requires drilling. Ensure that the carrier or surface you are attaching the TracPort to is clear of all wiring and equipment that may be around or underneath the surface. Also, ensure safe operation of the vehicle isn't compromised with your mounting positions. Finally, ensure the weight of the equipment can be held by the mounting system.

## Mounting the extrusion to the surface [A]

The TracPort extrusion has been pre-drilled for mounting, however due to the many different mounting applications for TracPort these holes may not suit. There are grooves along the inside of the back of the extrusion that mark the correct drilling width for the mounting feet. Also, you can use the mounting feet as drilling templates.

1. Remove end caps and infill from extrusion.
2. We recommend maximum spacings of 500 mm for drilling. Mark, and drill through the surface or bar.
3. Drilling through metal carriers and trays etc. exposes untreated metal to air and water, risking rust. When you thread the mounting screws into the extrusion, sandwich the carrier or tray holes with the plastic washers provided.
4. Tighten the screws into the nuts provided.

## Adding Mounts [B] and StarPorts [C] to the TracNuts

The TracNut is a rectangular plastic block that slides inside the extrusion, hosting two nuts.

1. Thread the mounting pad or StarPort with two bolts supplied into the TracNut and loosely secure.
2. Slide the TracNut assembly into place and tension the bolts once in position.
3. Screw the end caps of the TracPort into place.

## Using Infill [D]

The TracPort infill strip is used to trim the extrusion and reduce fouling. Once your accessories have been mounted, use a sharp knife or guillotine to cut strips of infill to length and **press them firmly into the extrusion from the front, not slid in from an end.**

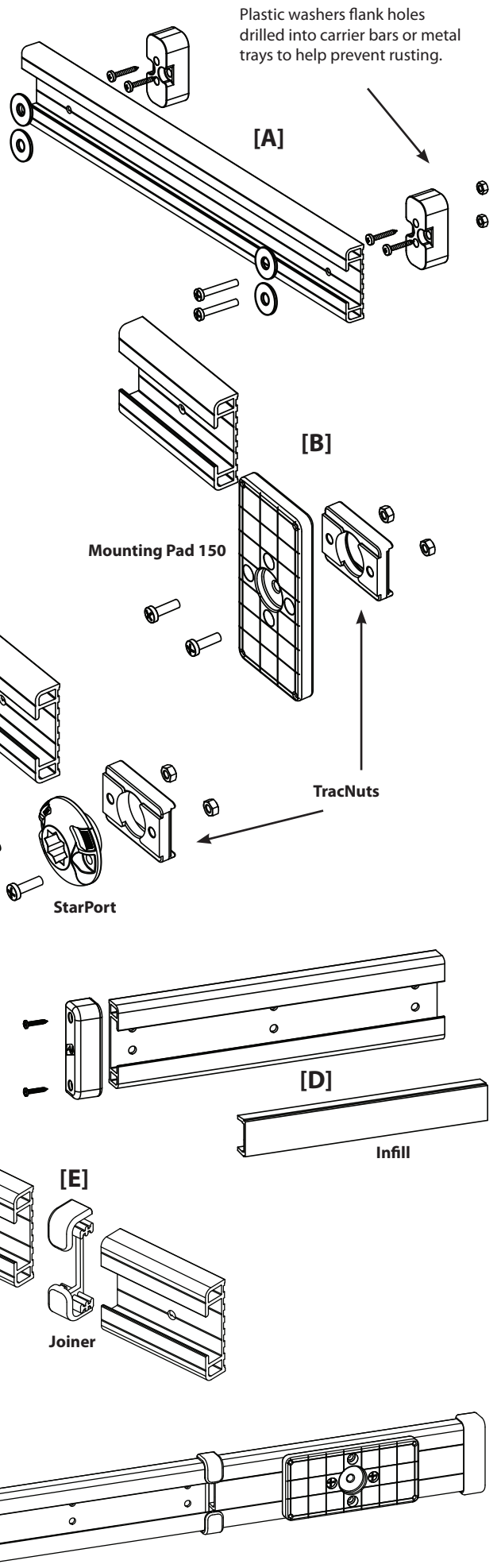
## Repositioning/Remounting Mounts and StarPorts on TracNuts

1. Remove any optional infill strips and end caps if necessary.
2. **If Repositioning:** Remove the equipment from pads or StarPorts, then loosen the mounting bolts until you can slide the TracNut/mounting accessory to a different location on the TracPort.
3. **If Remounting:** Remove the equipment from pads or StarPorts. Either attach new equipment to the existing mounting accessory, or replace the accessory with a new accessory.

## Extending length with another TracPort extrusion and the TracPort Joiner Kit [E]

The TracPort Joiner Kit allows you to add an extrusion in-line with another. If the first extrusion is already mounted, there's no need to remove it. However, you should still ensure that mounting the new extrusion won't compromise the safe and intended operation of your vehicle.

1. Take the appropriate install steps as written for a single extrusion for an in-line extension.
2. Replace an end-cap from one extrusion with the joiner, and fit the second extrusion into it.
3. We recommend securing the new extrusion farthest from the join first. Then secure the extrusion at a point closest to the join.
4. Insert accessories into the new extrusion as detailed earlier, and trim with infill as required.



# Installing a TracPort Mounting System (Marine)

## BEFORE INSTALLING:

Attaching the TracPort System to your vessel requires drilling. Ensure that the wall, bulkhead or surface you are attaching the TracPort to is clear of all pipes, wiring and equipment that may be around or underneath the surface, and that emergency equipment, doors and ports aren't compromised. Also, ensure the weight of the equipment can be held by the surface. If the equipment is heavy, or if using the mounting feet we suggest through-bolting.

## Mounting the extrusion to the surface [A]

The TracPort extrusion has been pre-drilled for mounting, however due to the many different mounting applications for TracPort these holes may not suit. There are grooves along the inside of the back of the extrusion that mark the correct drilling width for the mounting feet. Also, you can use the mounting feet as drilling templates.

1. Remove end caps and infill from extrusion.
2. **If using mounting feet:** Space the feet on the mounting surface to mark pilot holes and drill for the screws and bolts. We recommend mounting feet placed at maximum spacings of 500 mm.
3. Thread the plastic washers onto the bolts before inserting the bolts into the extrusion.
4. Place the extrusion up against the mounting feet (or surface) and bolt the extrusion in place.

## Adding Mounts [B] and StarPorts [C] to the TracNuts

The TracNut is a rectangular plastic block that slides inside the extrusion, hosting two nuts.

1. Thread the mounting pad or StarPort with two bolts supplied into the TracNut and loosely secure.
2. Slide the TracNut assembly into place and tension the bolts once in position.
3. Screw the end caps of the TracPort into place.

## Using Infill [D]

The TracPort infill strip is used to trim the extrusion and reduce fouling. Once your accessories have been mounted, use a sharp knife or guillotine to cut strips of infill to length and **press them firmly into the extrusion from the front, not slid in from an end.**

## Repositioning/Remounting Mounts and StarPorts on TracNuts

1. Remove any optional infill strips and end caps if necessary.
2. If Repositioning: Remove the equipment from pads or StarPorts, then loosen the mounting bolts until you can slide the TracNut/mounting accessory to a different location on the TracPort.
3. If Remounting: Remove the equipment from pads or StarPorts. Either attach new equipment to the existing mounting accessory, or replace the accessory with a new accessory.

## Extending length with another TracPort extrusion and the TracPort Joiner Kit [E]

The TracPort Joiner Kit allows you to add an extrusion in-line with another. If the first extrusion is already mounted on a surface, there's no need to remove it. However, you should still ensure that mounting the new extrusion won't compromise the safe and intended operation of your vessel.

1. Take the appropriate install steps as written for a single extrusion for an in-line extension.
2. Replace an end-cap from one extrusion with the joiner, and fit the second extrusion into it.
3. If using mounting feet: Keep the second extrusion tight and in-line with the first before drilling holes. We recommend securing the mounting foot farthestmost from the join first. Use the mounting foot as a drilling template. Then secure the foot closest to the join.
4. Insert accessories into the new extrusion as detailed earlier, and trim with infill as required.

