



## Installation & User Manual Radio Remote RC-10E



**SLEIPNER MOTOR AS**

P.O. Box 519  
N-1612 Fredrikstad  
Norway  
Tel: +47 69 30 00 60  
Fax: +47 69 30 00 70



[www.side-power.com](http://www.side-power.com)  
[sidepower@sleipner.no](mailto:sidepower@sleipner.no)

Made in Norway

# Contents

Model range.....	2
Technical specifications .....	3
Important precautions.....	4
Receiver installation .....	6
“Visual” wiring diagram.....	6
Programming additional transmitters.....	7
Replacing the battery.....	8
User precautions .....	9
How to use Side-Power thrusters.....	10
Service Centres .....	12

## Model range

The radio remote control can control a single bow thruster or a bow and stern thruster combined. The receiver can receive the signals of up to four transmitters.

### Remote control kit (RC-10E) consists of:

- Receiver: Part no. RCR-1E
- Transmitter (incl. battery): Part no. RCT-10E
- Holding bracket for transmitter unit: Part no. RC-HOLDER

Additional transmitters can be ordered separately: Part no. RCT-10E

Antenna is available as spare part no. RC-ANT

The transmitter and the receiver have the same factory preset code so no programming is necessary. The battery is already inserted in the transmitter.

When additional transmitters are to be used, the new transmitter(s) must be paired with the receiver (please see programming section on page 7).



We **Sleipner Motor AS** declare that this device complies with health and safety requirements according to the Directives  
EN301 489-3 V1.4.1:2002  
EN301 489-1 V1.4.1:2008  
IEC 60533:1999  
EN300 220-1 V2.3.1:2010  
EN300 220-2 V2.3.1:2010



## Technical specifications



	<b>Transmitter</b>	<b>Receiver</b>
Model	RCT-10E	RCR-1E
Power feed	1 x 3V battery (type: CR2032)	From thruster
Frequency (MHz)	433,2	433,2
Operation temp.	-10°C / +55°C	-15°C / +55°C
HxWxD (mm)	95x48x25	89x68x33
Weight (g)	60	135
Voltage:		8-30V
Load, max		4A

Operating range: 15m under normal operating conditions

## Important precautions

- **You must always install at least one original Side-Power panel.**
- With the boat on land, only run the thruster for a fraction of a second, as without resistance it will accelerate very fast to a damaging rpm.
- This manual is intended to support educated / experienced staff and is therefore not sufficient in all details for the correct installation.
- When installed in boats approved or classified according to international or special national rules, the installer is responsible for following the demands in accordance with these regulations / classification rules. The instructions in this guide can not be guaranteed to comply with all different regulations / classification rules.
- The transmitter and the receiver have the same factory preset code so no programming is necessary. When additional transmitters are to be used, the receiver must be programmed again for all transmitters (please see programming section on page 7).
- If a Side-Power automatic main switch is fitted, the "OFF" button on your transmitter will shut off the main switch providing no other control panels are "ON".



# Receiver installation

*Prior to installation, it is important that the responsible installer reads this guide to ensure necessary acquaintance with this product.*

## Warning!

- Remote receiver power supply negative lead must be connected to the thrusters's negative lead.

## Caution!

- Install the receiver minimum 1 meter (3ft) from high power cables and NMEA cables or other sources of electrical interference, i.e. navigation instruments, radio communication devices, electro motors and generators.
- Install the receiver outside of shielded areas for radio signals, i.e. boxes made of steel or other material with shielding properties.
- Install the receiver in a dry environment, with cables pointing downwards. (The receiver assembly is not waterproof.)
- When additional transmitters are to be used, the receiver must be programmed again for all transmitters (please see programming section on page 7).
- The receiver must have a separate power supply fitted with a 5 Amp fuse in the positive lead that has either a separate power switch or is shut of by the thrusters system main power switch. The receiver can not be powered by the thrusters's control looms even if you find positive and negative lead there.
- Mount the receiver using the two screw holes (please see picture on page 6).  
If the receiver is mounted against a wall, use spacers between the receiver and the wall to avoid moisture in the receiver.

## Optimised installation (Fig. 1 - 3)

- The receiver antenna must be placed in a vertical position minimum 1 meter (3ft) above sea level.
- The receiver has antenna with SMA connector. If there is a problem with signal transferring, try to move the unit to a more optimised position or buy the antenna extension cable (RC-EXT) to relocate the antenna.
  - Above sea level
  - Away from sources of electrical interference.

**Note! Faulty installation will render all warranty given by Sleipner Motor AS void.**



FIG. 1

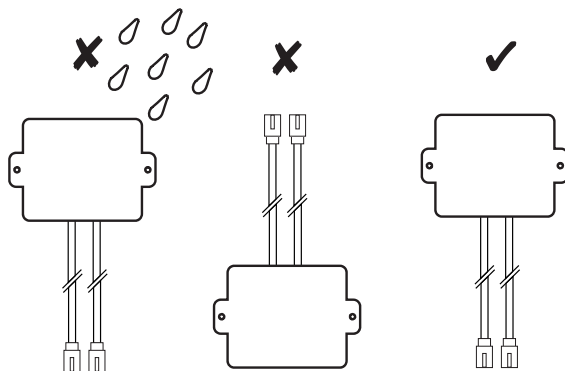


FIG. 2

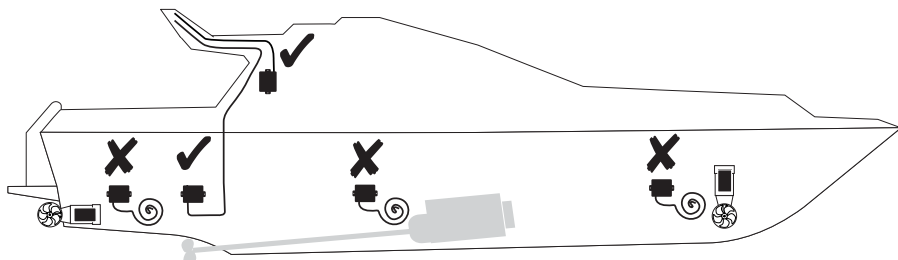
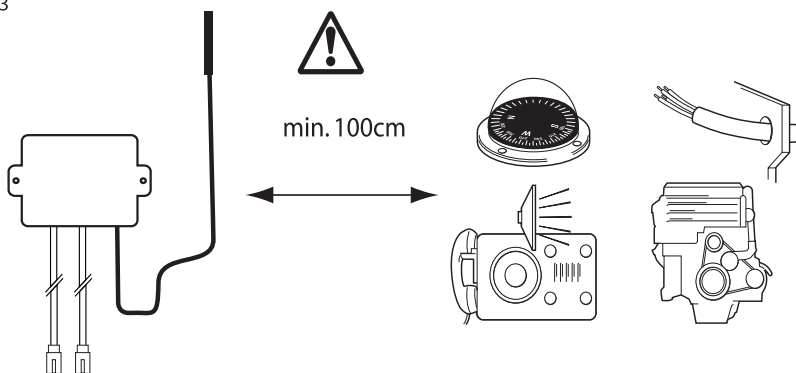
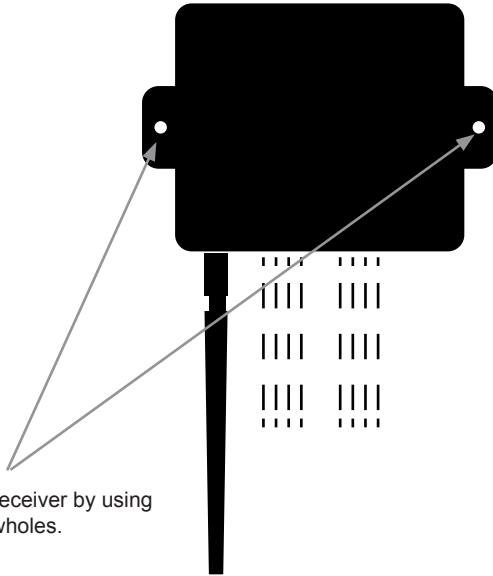


FIG. 3



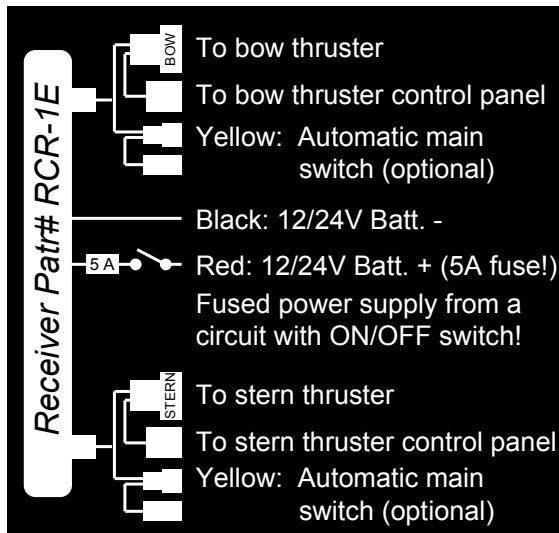
## Receiver installation



Mount the receiver by using the 2 screwholes.

If the receiver is mounted against a wall, us spacers between the receiver and the wall to avoid moisture in the receiver.

## Visual wiring diagram



## Programming additional receivers

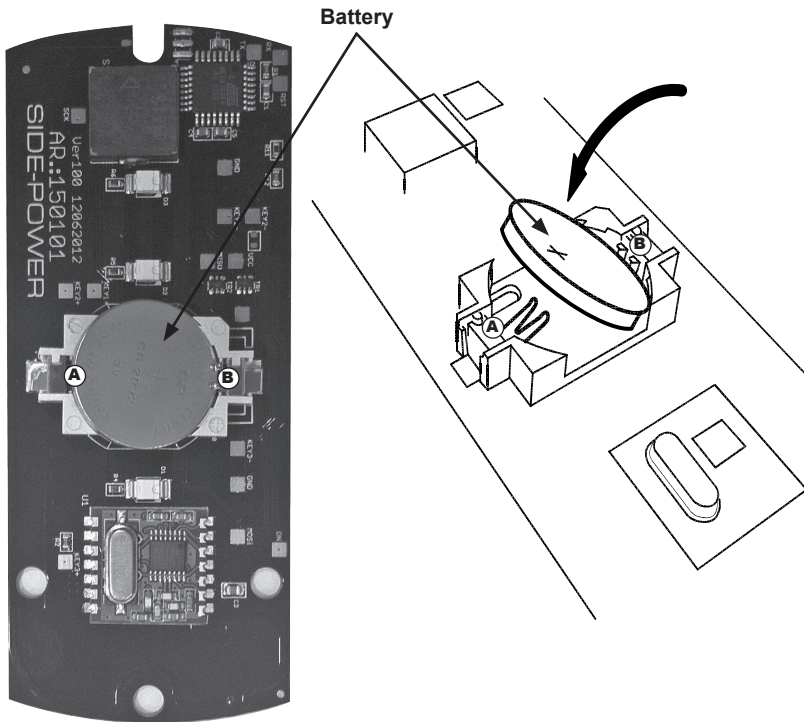


The original transmitter and receiver have the same factory preset code so that no programming is necessary. When additional transmitters are to be used, the receiver must be programmed again for all transmitters.

1. Deactivate the receiver and all transmitters (press "OFF" on all transmitters).  
Turn off the main power switch for the thruster(s).
2. Turn on the power to the receiver.
3. Push the Pair Button on the receiver with a plastic stick (as shown above). The LED below the button will start to blink.
4. The receiver and transmitter are programmed by pressing both "ON" buttons on the transmitter. Within 5 seconds the LED will change from blinking to continuous light when the programming signal is received. The transmitter is then ready to use.
5. Additional transmitters must be programmed according to step 3-4 when the receiver is in "Program mode". You can pair up to 4 transmitters.
6. To clear all transmitters, hold Pair Button until LED blinks slow, continue to hold button pressed until LED blinks quick indicating that a reset process is started. When LED is turned off, the reset process is completed, and the Pair button can be released. The LED will come on when the receiver has completed the reset process and is ready to be paired (Step 3-4)



## Replacing the battery



### **WARNING:**

*Before working on the transmitter, deactivate the transmitter and the receiver (push "OFF" on the transmitter(s)) and turn off the power to the receiver as well as the thruster mainswitch.*

1. Open the transmitter.
2. Take out the battery by inserting a screwdriver or similar between battery and holder at point A, and gently flip the battery out, taking care not damaging the battery grips at point B
3. Insert the new battery (Type CR2032, 3V - Brand name recommended). Be sure to insert the battery with the positive pole up diagonally into the battery holder, confirming that the edge of the battery is under the battery grips (B). Press the battery down until secured at point A.
4. Close the transmitter. Put the cover back in place, ensure that the rubber seal between remote upper and lower part is located correctly. Place the 3 screws (remember sealing washer) in their recessed holes and tighten.





## Important user precautions

- Ensure that you know the location of the main battery switch that disconnects the thruster from all power sources (batteries) so that the thruster can be turned off in case of a malfunction.
- If a Side-Power automatic main switch is fitted, the “OFF” button on your transmitter will shut off the main switch providing no other control panels are “ON”.
- **How to activate the system:**  
Turn on the main power source for the thruster system. Turn on the power to the receiver. The thruster system is then activated by pushing the two “ON” buttons on the transmitter (see page 10). To turn off the radio remote control press the “OFF” button on the transmitter for 2 sec. The LED below the Pair Button on the receiver will blink when a command signal is received.
- **Alarms:**  
If transmitter/receiver is out of range, the transmitter will give a alarm sound.  
If the voltage of the battery supplying the thruster gets below 8V, the alarm will sound.  
If other alarm situations are detected by the receiver, the transmitter will give an alarm sound.
- The transmitter will automatically turn off after approx. 4 minutes of inactivity for safety reasons

### When using a single transmitter

The system turns off automatically approx. 4 minutes after the last usage.

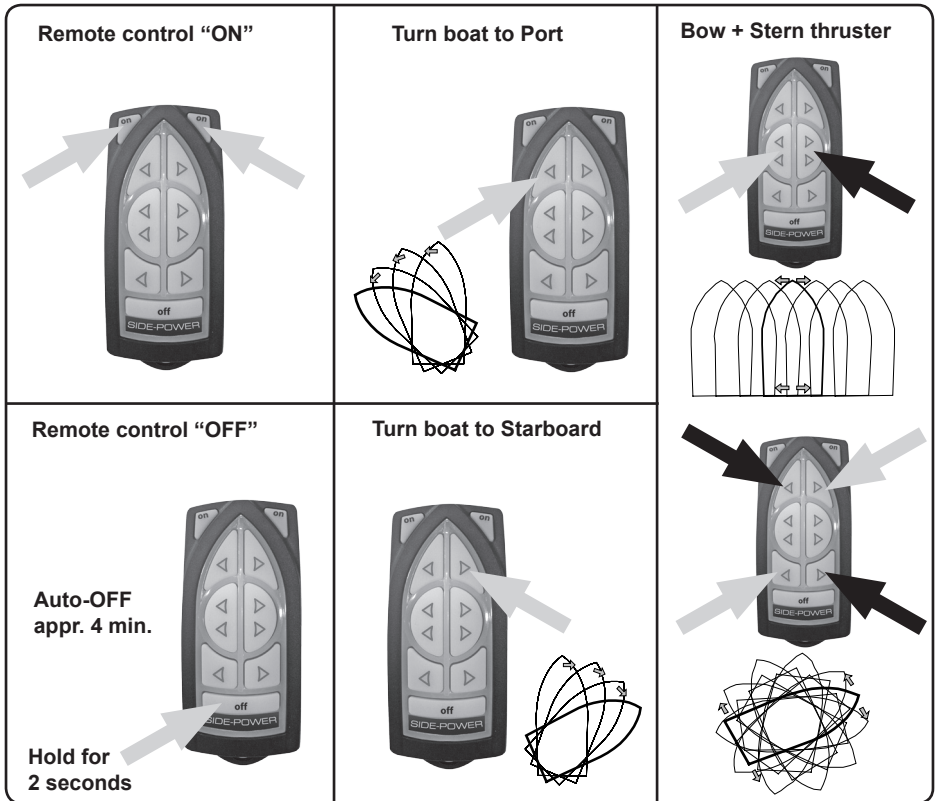
### When using more than one transmitter or additional ‘radio-link’ control panels

The system turns off automatically approx. 4 minutes after the last usage of the control unit that initially activated the system even if other control units have been operated in the meantime.

The system is off even if these other control units still show the blinking LED on the transmitter. To use these transmitters, the system must be activated again by pushing the two “ON” buttons.

- Remember to turn off the radio remote control by pushing the “OFF” button on the transmitter for 2 seconds and to turn off the power switch for the receiver when you have finished your maneuvering.
- The maximum continues usage time of the electrical thruster is approx. 3 minutes. The electro motor has a built in thermal cut-off switch that will shut it off when overheating and re-engage it when it has cooled down some. This should be considered when planning your manoeuvring.
- Never use a thruster close to somebody in the water, as the thruster will draw objects close by into the tunnel and contact with the rotating propellers will cause serious injuries.
- Never run a thruster for more than one second when the boat is not in the water, as this can damage the electromotor seriously.
- If the thruster stops giving thrust while the electromotor is running, chances are that there is a problem in the drive-system. You must then immediately stop trying to run it, and turn it off, as running the electromotor for more than a few seconds without resistance from the propeller, can cause serious damage to the electromotor.
- When leaving the boat always turn off the main power switch for the thruster and turn off the power to the receiver.
- We advice to always keep the main engine(s) running while using a thruster. This will keep the batteries in a good charge condition. This will also give better performance to the thruster, as a higher voltage at the thruster results in a higher torque (power) in the electromotor.
- Make sure that only one control is used at the same time, if two panels are operated in opposite directions at the same time the thruster will not run at all. If they are operated in the same direction the thruster will run in this direction.





### How to use a bow thruster

1. Turn the main power switch for the bow thruster on. Turn on the power to the receiver.
2. Turn on the transmitter by pushing the transmitter's two "ON" buttons. The remote system is now activated and then turns off automatically appr. 4 min. after the last usage (see page 9).
3. Please take some time to exercise thruster usage in open water to avoid damages to your boat.
4. Turn the bow in the desired direction by pushing the red button for port movement or the green button for starboard movement.

### How to use a bow & stern thruster combined

The combination of a bow and stern thruster offers total manouverability to the boat and the opportunity to move the bow and the stern separately of each other. The remote middle buttons gives you the opportunity to operate both thrusters in the same direction with one keypress, making sideways movement easier.

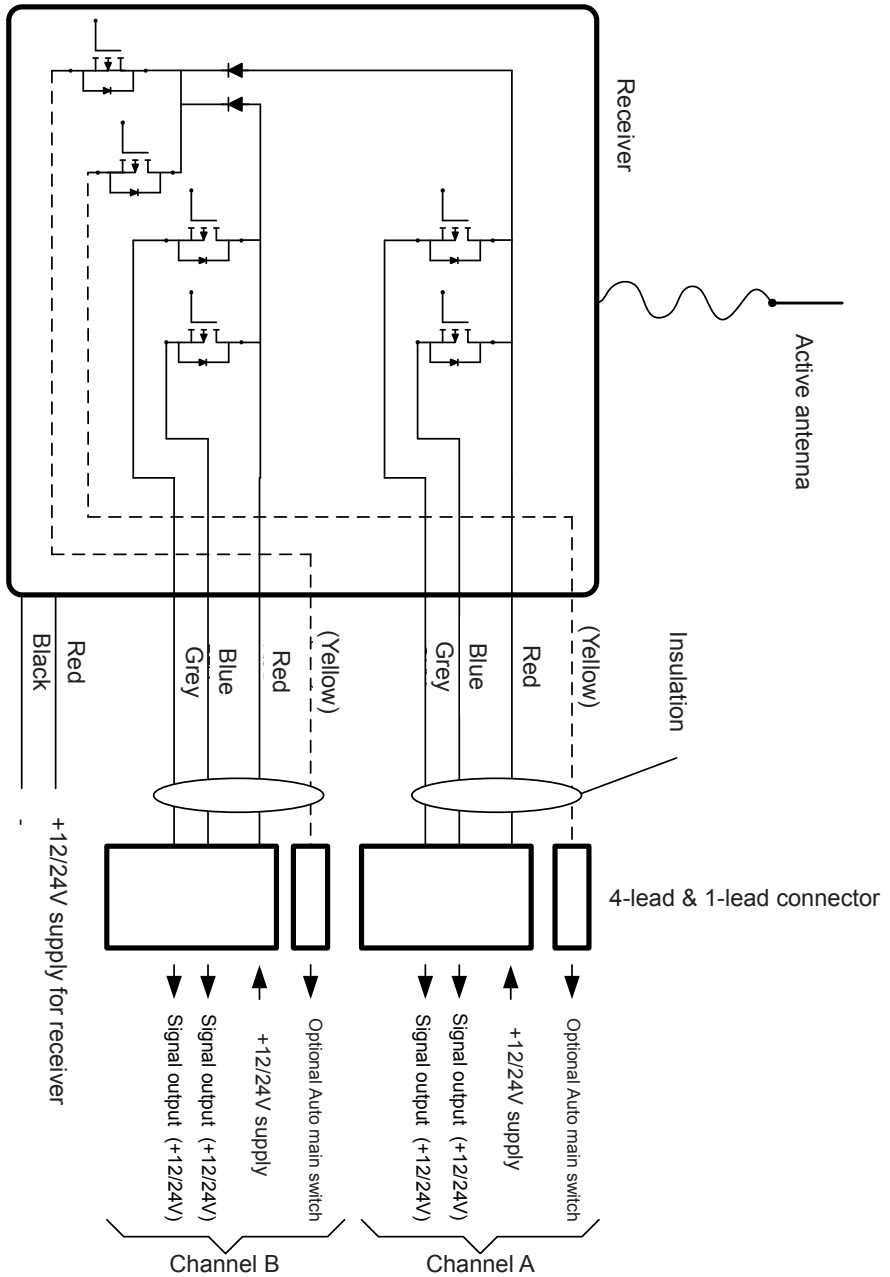
### Remote Control Deactivation

Push the transmitter's "OFF" button for 2 seconds (the remote control deactivates automatically after approx. 4 minutes after the last usage). Turn off the power switch for the receiver.

- If in doubt, try in open water first!



# Electric schematics



# SIDE-POWER SERVICE CENTRES

## Argentina

Trimer SA  
Buenos Aires  
Tel: +54 11 4580 0444  
Fax: +54 11 4580 0440  
www.trimer.com.ar  
trimer@trimer.com.ar

## Australia

AMI Sales  
Freemantle, WA  
Tel: +61 89 331 0000  
Fax: +61 89 314 2929  
ami@amisales.com.au

## Austria

G. Ascherl GmbH  
Hard, Bregenz  
Tel: +43 5574 899000  
Fax: +43 5574 89900-10  
www.ascherl.at  
office@ascherl.at

## Benelux

ASA Boot Electro  
Watergang  
Tel: +31 20 436 9100  
Fax: +31 20 436 9109  
www.asabootelectro.nl  
info@asabootelectro.nl

## Brazil

Electra Service Ltda.  
Guaruja  
Tel: +55 13 3354 3599  
Fax: +55 13 3354 3471  
www.electraservice.com.br  
albertoni@electraservice.com.br

## Bulgaria

Yachting BG  
Burgas  
tel: +359 56 919090  
fax: +359 56 919091  
www.yachting.bg  
info@yachting.bg

## China/Hong Kong

Storm Force Marine Ltd.  
Wanchai, Hong Kong  
Tel: +852 2866 0114  
Fax: +852 2866 9260  
www.stormformarine.com  
sales@stormformarine.com

## Croatia

Yacht Supplier  
Icici  
Tel: +385 51 704 500  
Fax: +385 51 704 600  
acyachting@gmail.com

## Cyprus

Ocean Marine Equipment Ltd  
Limassol  
Tel: +357 253 69731  
Fax: +357 253 52976  
oceanm@spidernet.com.cy

## Denmark

Gertsen & Olufsen AS  
Hørsholm  
Tel: +45 4576 3600  
Fax: +45 4576 1772  
www.gertsen-olufsen.dk  
info@gertsen-olufsen.dk

## Estonia/Latvia/Lithuania

Miltec Systems OÜ  
Tallin  
Tel: +372 5013997  
Fax: +372 6442211  
www.miltec.ee  
tony@miltec.ee

## Finland

Nautikulma OY  
Turku  
Tel: +358 2 2503 444  
Fax: +358 2 2518 470  
www.nautikulma.fi  
nautikulma@nautikulma.fi

## France

Kent Marine Equipment  
Nantes  
Tel: +33 240 921 584  
Fax: +33 240 921 316  
www.kent-marine.com  
contact@kent-marine.com

## Germany

JabSCO GmbH  
Norderstedt  
Tel: +49 40 535 373-0  
Fax: +49 40 535 373-11  
www.xylemflowcontrol.com  
vertrieb@jabasco@xyleminc.com

## Greece

Amaltheia Marine  
Athens  
Tel: +30 210 2588 985  
Fax: +30 210 2588 986  
www.amaltheiamarine.com  
amalmar@otenet.gr

## Iceland

Maras EHF  
Reykjavik  
Tel: +354 555 6444  
Fax: +354 565 7230  
www.maras.is  
gummi@maras.is

## India

Indo Marine Engineering Co. Pvt. Ltd  
Pune, Maharashtra  
Tel: +91 20 2712 3003  
Fax: +91 20 2712 2295  
siddharth@indogroup-asia.com

## Israel

Atlantis Marine Ltd.  
Tel Aviv  
Tel: +972 3 522 7978  
Fax: +972 3 523 5150  
www.atlantis-marine.com  
atlantis@inter.net.il

## Italy

Saim S.P.A.  
Assago-Milan  
Tel: +39 02 488 531  
Fax: +39 02 488 254 5  
www.saim-group.com

## Japan

Turtle Marine Inc.  
Nagasaki  
Tel: +81 95 840 7977  
Fax: +81 95 840 7978  
www.turtle-marine.com  
info@turtle-marine.com

## Malta

S & D Yachts Ltd.  
Cali  
Tel: +356 21 339 908  
Fax: +356 21 332 259  
www.sdyachts.com  
info@sdyachts.com

## New Zealand

Advance Trident Ltd.  
Auckland  
Tel: +64 9 845 5347  
Fax: +64 9 415 5348  
www.advancetrident.com  
service@advancetrident.com

## Norway

Sleipner Motor AS  
Fredrikstad  
Tel: +47 69 30 00 60  
Fax: +47 69 30 00 70  
www.sleipner.no  
info@sleipner.no

## Poland

Taurus Sea Power SP. Z.O.O  
Gdansk  
Tel: +48 58 344 30 50  
Fax: +48 58 341 67 62  
www.taurus.gda.pl

## Portugal

Krautli Portugal Lda.  
Lisboa  
Tel: +351 21 953 56 00  
Fax: +351 21 953 56 01  
www.krautli.com  
contact@krautli.pt

## Russia

Standarte  
Starbeyevo  
Tel: +7 495 575 67 23  
Fax: +7 4 95 575 39 77  
www.standarte.ru  
info@standarte.ru

## South Africa

PowerSol  
Cape Town  
Tel: +27 21 552 1187  
Fax: +27 21 555 2503  
bruce@powersol.co.za

## South Korea

D-I Industrial Co Ltd  
Jinju-si, Kyungnam-do  
Tel: +82 55 760 5520  
Fax: +82 55 755 9188  
www.d-i.co.kr  
dicl@d-i.co.kr

## Spain

Imnasa Marine Products  
Girona  
Tel: +34 902 300 214  
Fax: +34 902 300 215  
www.imnasa.com  
imnasa@imnasa.com

## Sweden

Sleipner AB  
Strömstad  
Tel: +46 526 629 50  
Fax: +46 526 152 95  
www.sleipnerab.se  
info@sleipnerab.se

## Switzerland

Senero AG  
Winterthur  
Tel: +41 52 203 66 55  
Fax: +41 52 203 66 56  
www.senero.ch  
info@senero.ch

## Singapore/Malaysia/ Indonesia/ Vietnam/Philippines/Thailand

Island Marine Services Pte Ltd  
Singapore  
Tel: +65 6795 2250  
Fax: +65 6795 2230  
www.island-marine.com  
karl@island-marine.com

## Taiwan

Mercury Marine Supply  
Kaohsiung  
Tel: +886 7 3317 293  
Fax: +886 7 3314 232

## Turkey

Denpar Ltd.  
Istanbul  
Tel: +90 212 346 1332  
Fax: +90 212 346 1329  
seda@denpar.com

## UK/Ireland

Sleipner Motor Ltd.  
South Brent  
Tel: +44 1364 649 400  
Fax: +44 1364 649 399  
andy@sleipner.co.uk

## Ukraine

Yachtglanz Marine Equipment  
Tel: +49 231 474 09 599  
Fax: +49 231 474 11 594  
www.yachtglanz.com  
info@yachtglanz.com

## United Arab Emirates

Teignbridge Propellers & Marine  
Equipment Co. Ltd.  
Dubai  
Tel: +971 4 324 0084  
Fax: +971 4 324 0153  
teignpro@emirates.net.ae

## USA/Canada/Carribbean

Imtra Corporation  
New Bedford, MA  
Tel: +1 508 995 7000  
Fax: +1 508 998 5359  
www.imtra.com  
side-power@imtra.com

