



PROFESSIONAL

Key benefits

- Designed for motorhomes, caravans and boats with lower energy requirements – ideal for starting and light service applications
- Long lasting – up to twice the cyclic stability of conventional flooded batteries
- Minimal self-discharge makes it ideal for seasonal use
- Ideal for dual power applications (can be used for both starting and overall energy supply)

For more information visit www.varta-automotive.com

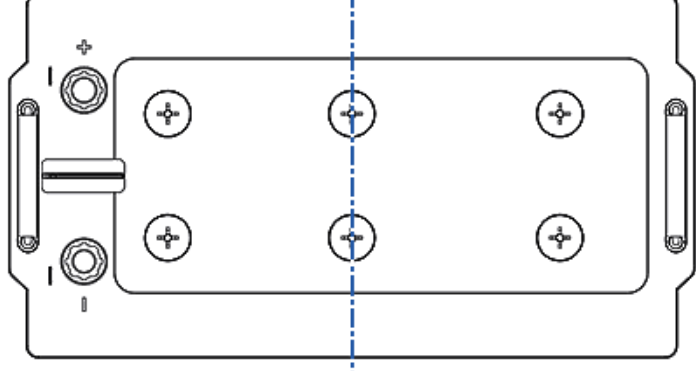
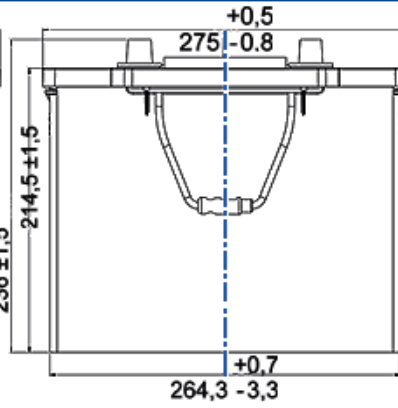
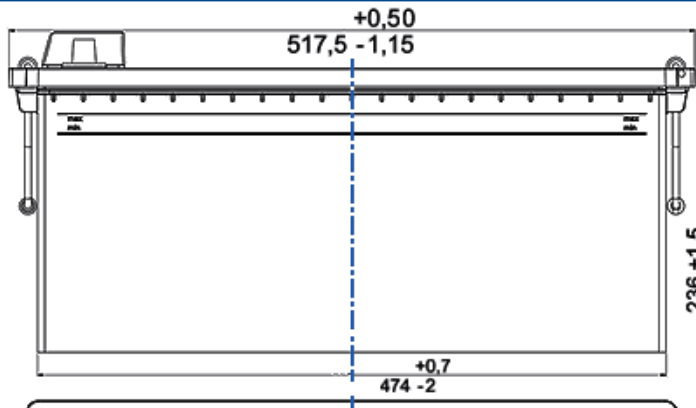
ORDER INFORMATION

European Type No. (ETN):	930 230 115
Article Number:	930 230 115 B91 2
Short Code:	LFD 230
Barcode:	4016987141151
Packaging Unit:	1
Quantity per Pallet:	12

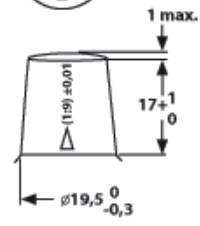
TECHNICAL INFORMATION

Voltage [V]:	12	Height [mm]:	242
Battery Capacity [Ah]:	230	Base Hold-down:	B00
Battery Capacity 5h [Ah]:	196	Layout:	3
Cold Cranking Amps (CCA), EN [A]:	1150	Terminal Types:	1
Marine Cranking Amps (SAE) @ 0°C:	1430	Case Size:	C
Length [mm]:	518	Weight filled (kg):	56,75
Width [mm]:	276		

DRAWINGS



Terminal
POSITIVE



NEGATIVE

