



PROFESSIONAL

Key benefits

- Designed for motorhomes, caravans and boats with lower energy requirements – ideal for starting and light service applications
- Long lasting – up to twice the cyclic stability of conventional flooded batteries
- Minimal self-discharge makes it ideal for seasonal use
- Ideal for dual power applications (can be used for both starting and overall energy supply)

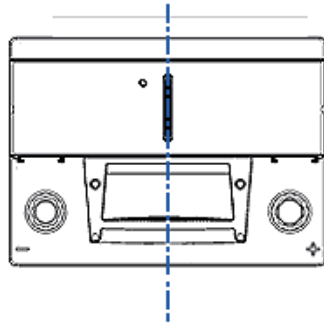
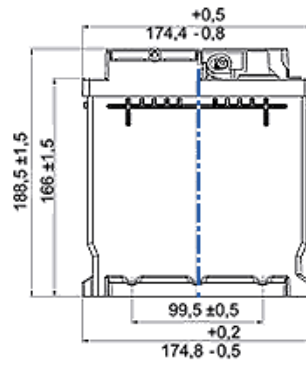
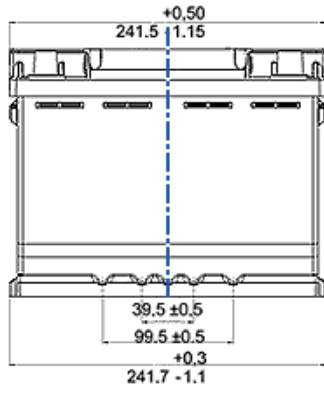
For more information visit www.varta-automotive.com

ORDER INFORMATION

European Type No. (ETN):	930 060 056
Article Number:	930 060 056 B91 2
Short Code:	LFD 60
Barcode:	4016987141106
Packaging Unit:	1
Quantity per Pallet:	63

TECHNICAL INFORMATION

Voltage [V]:	12	Height [mm]:	190
Battery Capacity [Ah]:	60	Base Hold-down:	B13
Battery Capacity 5h [Ah]:	51	Layout:	0
Cold Cranking Amps (CCA), EN [A]:	560	Terminal Types:	1
Marine Cranking Amps (SAE) @ 0°C:	700	Case Size:	H5/L2
Length [mm]:	242	Weight filled (kg):	16,800
Width [mm]:	175		



Terminal
POSITIVE



NEGATIVE

