

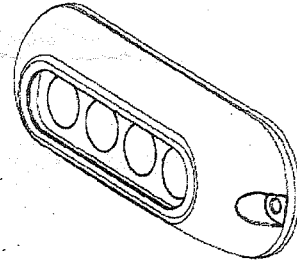
DYLAN - 4 LED

LED UNDERWATER LIGHT

- Super bright light beam
- LED technology: low consumption, low temperature
- Completely waterproof with multiple internal sealing
- Low profile exterior

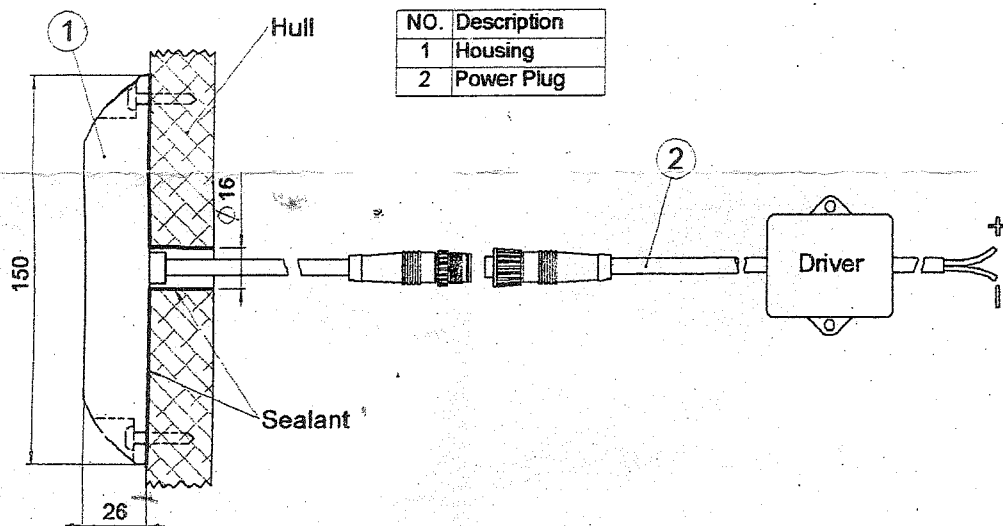
LIGHT SPEC.

Light type : High power LED
No. of LEDs : Four
Voltage : 12 ~ 28VDC
Current : 1.0A @12vDC
 : 0.5A @24vDC



SEAWORLD NUMBER	ILLUMINATION COLOR
10270	White
10270B	Blue
10270G	Green

Made in Taiwan



Assembly:

- Select a flat surface on hull for installation.
- Drill 16mm (5/8") hole in the hull.
- Drill appropriate sized pilot holes for the mounting screws.
- Apply sealant to the back of housing, filling outer & inner grooves and around screw holes.
- Push the electric cable through the hull slowly and hold the light still while installing the supplied #8 fixing screws. Ensure complete sealing between light and hull. Seal mounting hole.
- Connect power plug to the light. Mount driver at a suitable dry location.
- Connect driver to power with switch and fuse.

⚠ Attention:

- Properly seal between light and the hull.
- Do not allow water to contact the back side of fixture and electrical wiring.