

### Purpose of the kit

The Membrane Replacement Kit contains parts required to replace one membrane element on a PowerSurvivor-160E.

### Contents of the kit

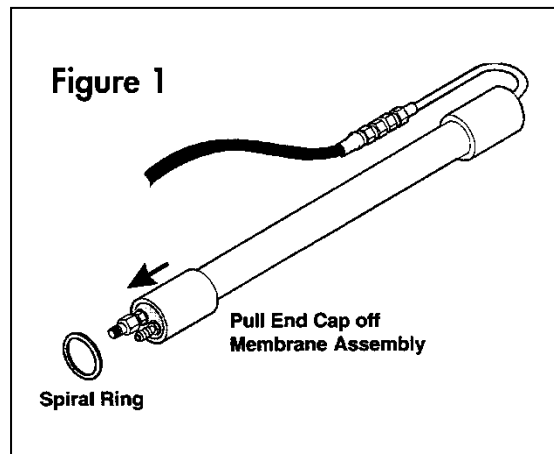
- Membrane Element (1)
- Silicone Lubricant

### Tools and Supplies required

- 11/16-in. open-end wrench
- 3/4-in. open-end wrench
- 5/8-in. open-end wrench
- Flat-blade screwdriver
- Channel Lock Pliers (optional)

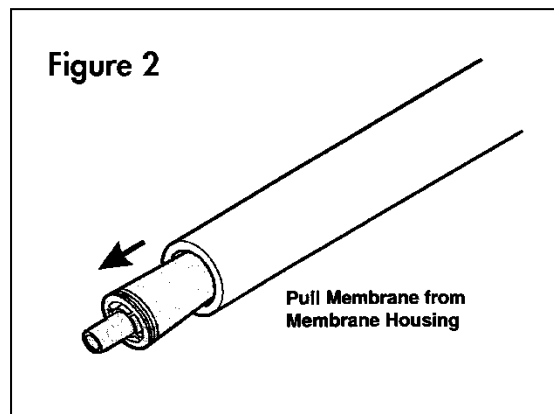
### Installation Instructions

1. Disconnect the high-pressure hose from the end cap where the fresh water tube is attached using a 11/16-in. open-end wrench.
2. Use a flat screwdriver to lift the end of the spiral ring on the end cap. Pull the spiral ring off. (Figure 1)
3. Remove the end cap by pulling on the high-pressure hose connector.

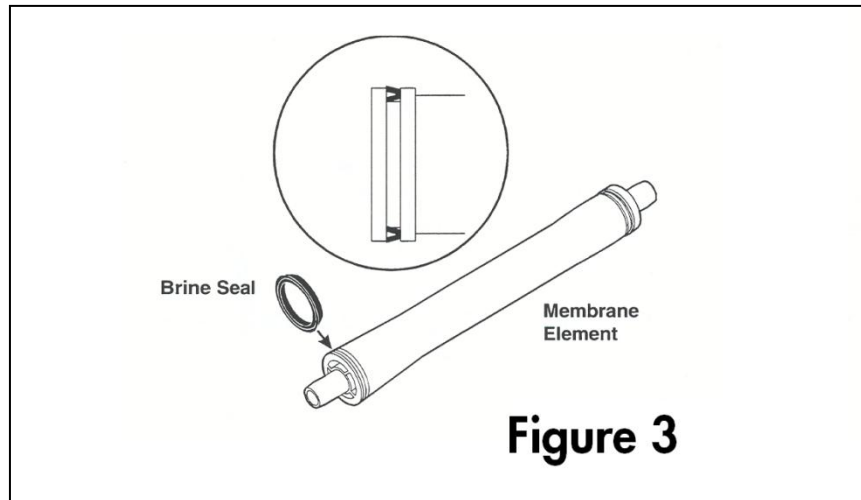


**Note:** End caps will not come off easily. It may be necessary to wrap a piece of cloth around the high-pressure hose connector, then grasp the connector with a channel lock pliers and leverage the end cap up and away.

4. With the end cap removed, shake the membrane element out the open end of the membrane housing. (Figure 2)



5. Install the brine seal on the membrane element (if not already done so) farthest from the fresh water product output (the end where the seawater enters the membrane). Please note that only one end of the membrane element has got a Brine Seal.



6. Reassemble the membrane element in the reverse order of disassembly. Be sure to lubricate all o-rings and seals with a thin film of silicone lubricant.

**Note:** Do not use petroleum-based lubricants.