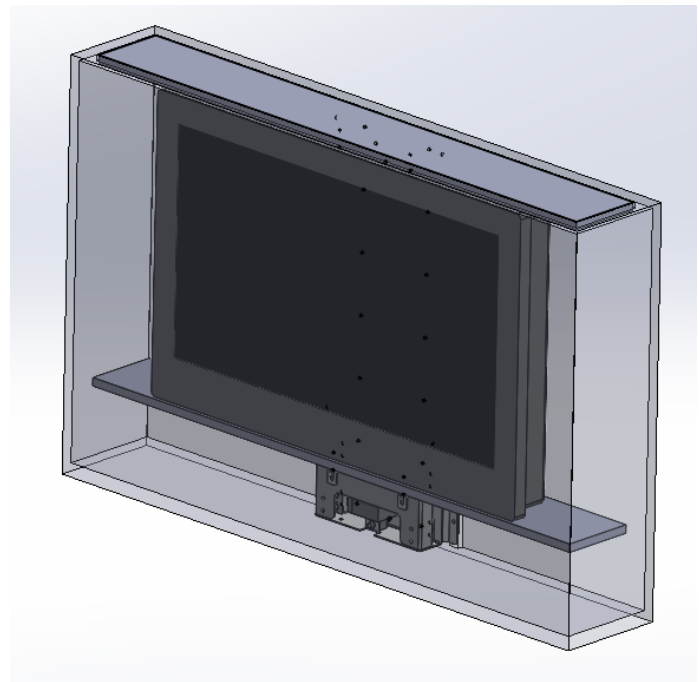
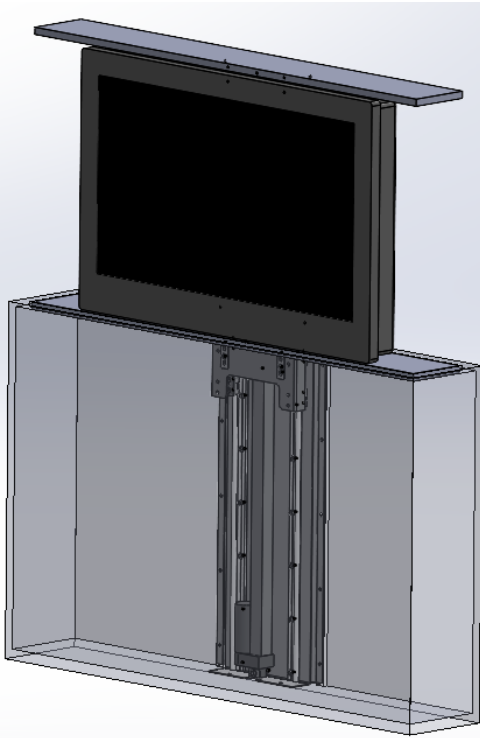


TV LIFT BULKHEAD MOUNTED RANGE

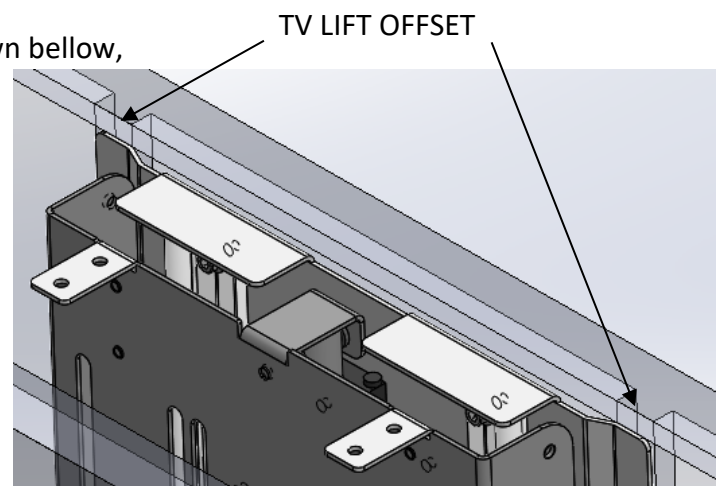
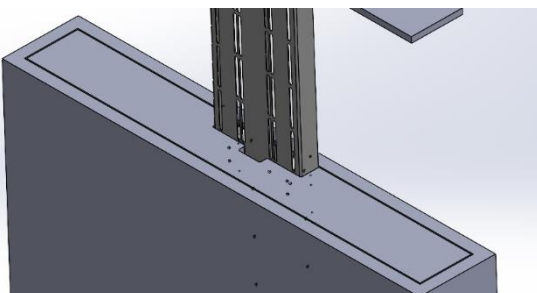
2022-11-30

A. INTEGRATION WITH MOUNTING BRACKETS

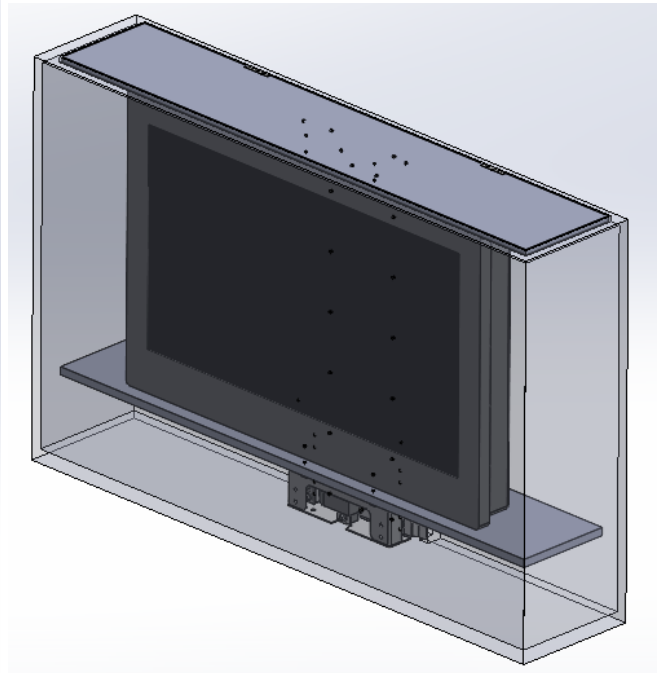
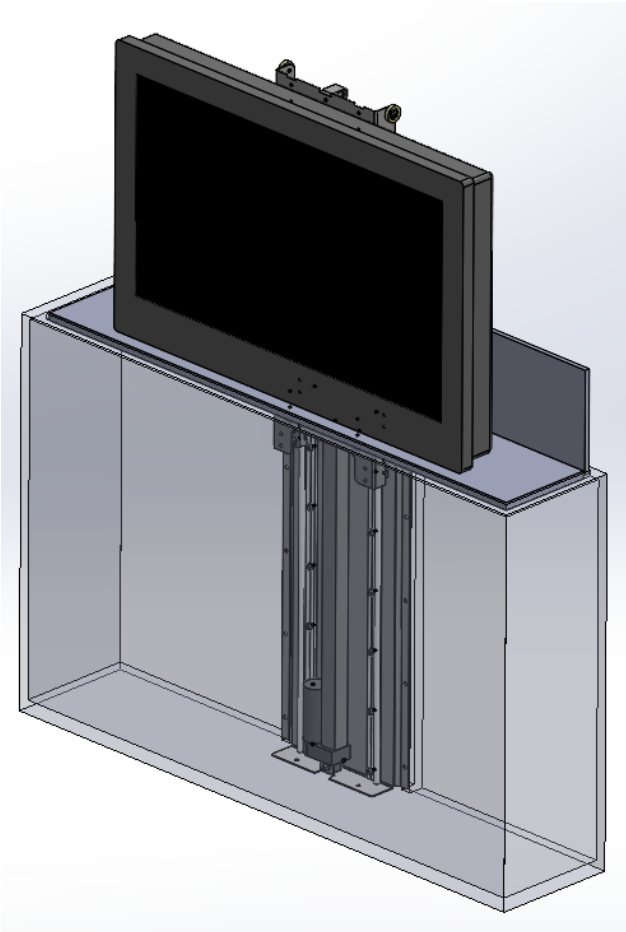


- Shelves (not included) attached on the TV LIFT
- Shelf movement related to the TV up/down
- 2 x Optional TV support bracket for shelves NL1185 required for this assembly

If TV cabinet (not included) has overlapping edges as shown bellow, an offset of the TV LIFT should be provided to avoid contact between the system and the furniture during movement.

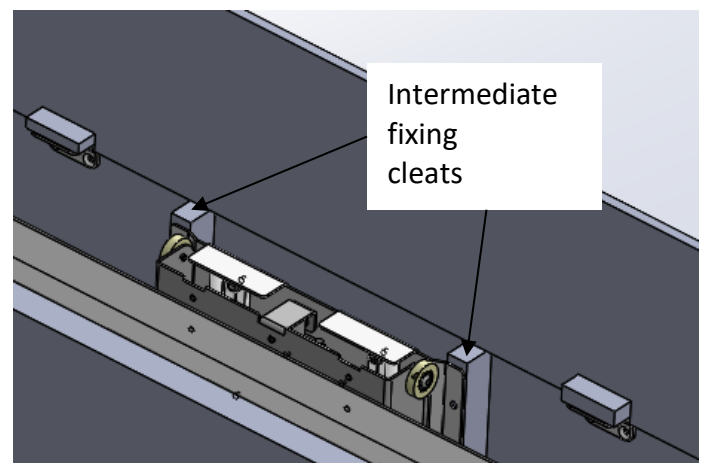


B. INTEGRATION WITH WHEELS



- 1 Shelf (Not included) attached on the TV LIFT
- 1 Shelf attached on hinges (not included) on the furniture of the TV LIFT
- Shelf movement related to TV up/down
- 1 x Optional TV support bracket for shelves NL1185 required for this assembly
- 1 x Wheels kit TV LIFT NL1979 required for this assembly





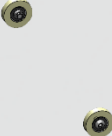
The TV LIFT must not be fixed directly on back wall of the furniture to allow the top shelf to rise without problems. It's done thanks to the Intermediate fixing cleats.



C. STANDARD TV LIFT RANGE

TV LIFT MODEL								
Reference	Designation	Current	Dimensions					
			Height folded (A)	Height extended (B)	Stroke (C)	Size (D)	Thickness (E)	Max TV height (F)
NL1260 - 12V	LIFT TV ST515 12V	12V DC	650 mm	1165 mm	515 mm	300 mm	58 mm	500 mm
NL1260 - 24V	LIFT TV ST515 24V	24V DC						
NL1177 - 12V	LIFT TV ST565 12V	12V DC	700 mm	1265 mm	565 mm			550 mm
NL1177 - 24V	LIFT TV ST565 24V	24V DC						
NL1261 - 12V	LIFT TV ST615 12V	12V DC	750 mm	1365 mm	615 mm			600 mm
NL1261 - 24V	LIFT TV ST615 24V	24V DC						
NL1413 - 12V	LIFT TV ST715 12V	12V DC	885 mm	1600 mm	715 mm			700 mm
NL1413 - 24V	LIFT TV ST715 24V	24V DC						

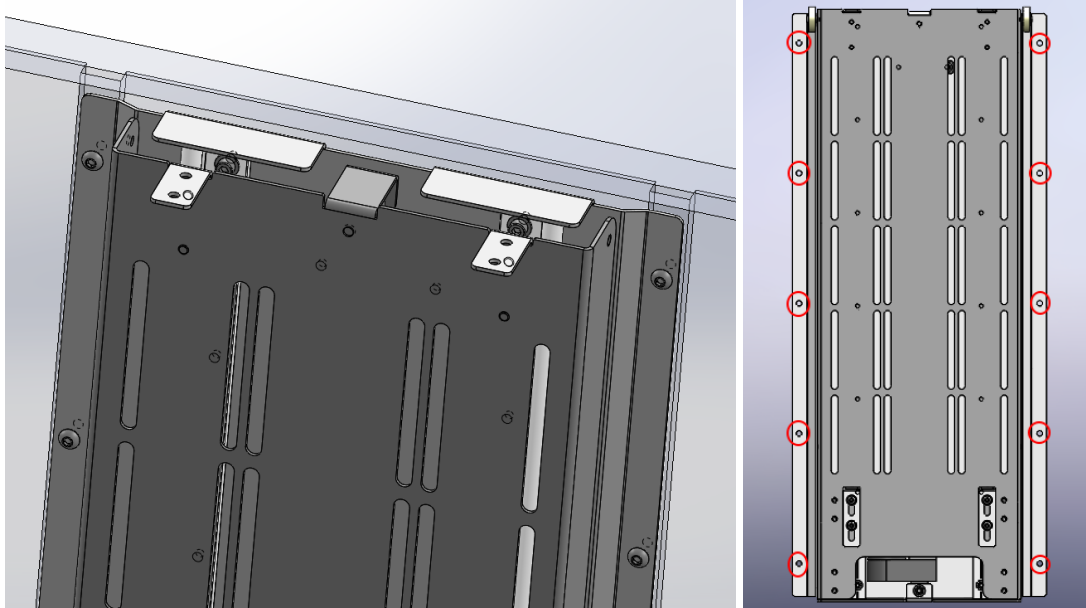
OPTIONS

Reference	Designation	Function	Visual
NL1270	RADIO RECEIVER (without transmitter)	Allows you to use the radio transmitter ref AT5189 (remote control)	
AT5189	RADIO TRANSMITTER	Remote control	
NL1273	CONVERTER 110-220V AC -> 24V DC 100W	Allows the use of a 24V DC power source with a 110-220V AC power source	
NL1185	TABLET MOUNTING BRACKET OPTION	Allows the mounting of a tablet above or below (see opposite, in red) NL1185 option by tablet	
NL1979	WHEELS KIT LIFT TV STD	Allows the use of a hinged top shelf which open automatically thanks to wheels when the LIFT TV moves up	

D. INSTALLATION INSTRUCTIONS AND WIRING FOR STANDARD TV LIFT

INSTALLATION INSTRUCTIONS

- Position the system
- Use the holes provided to screw the system on the furniture (screws not included)



WIRING

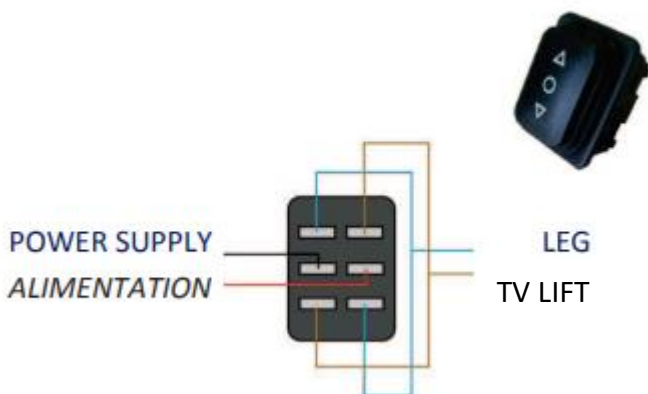
Without control box :

Becareful the line must be protected by a 10A fuse. The TV Lift must only operate when a pressure is maintained on the switch et stop when the pressure is released

(MOM-OFF-MOM switch)

Using a simple MOM-OFF-MOM button

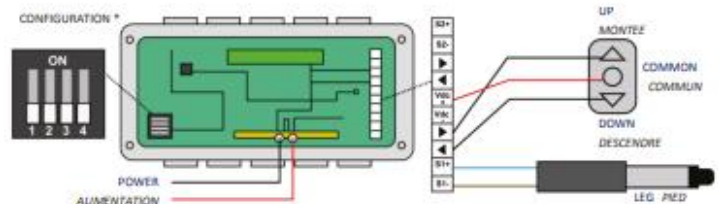
En câblant un simple bouton MOM-OFF-MOM



Control box options NL1270 + remote AT5189

Using our control box

En câblant notre boîtier de commande



You can use S1 or S2 independantely (see § INPUTS/OUTPUTS)
S1 ou S2 peuvent être utilisées indépendamment