

**RPST 6071 machine**

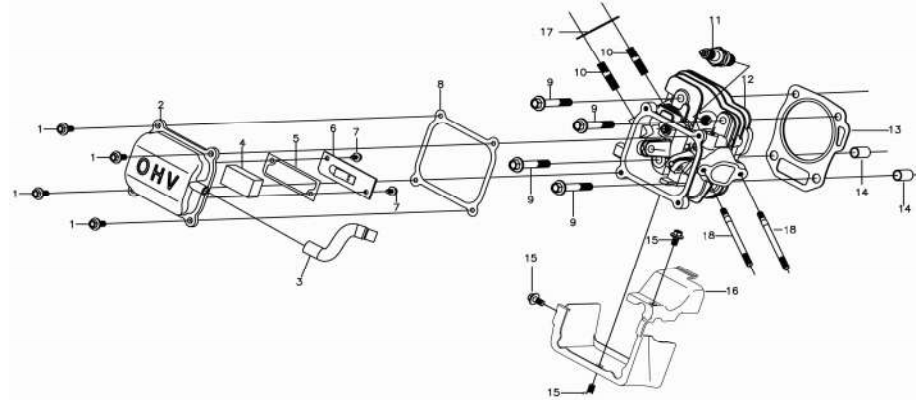
<b>Pozice</b>	<b>Obj.číslo</b>	<b>Popis</b>	<b>Počet</b>
1	303020681	hex washer screw	6
2	303071607	bearing housing	2
3	203060013	plastic bearing	2
4	203050109	auger spacer 2	2
5	303180424	new right auger welding	2
6	203050108	auger spacer 1	6
7	203060012	auger spacer shaft sleeve	8
8	202340012	worm case	1
9	303180425	new left auger welding	1
10	202560001	shear pin	4
11	303180709A	impeller welding	1
12	303030032	nut m6	1
13	303020442	Outer hexagonal bolt	2
14	303030076	common nut with tooth	3
15	303071655	snow shovel	1
16	303020542	half-round head square neck bolt	3
17	303181053	housing welding	1
18	303020166	half-round head square neck bolt	4
19	303071587	skid shoe	2
20	303030077	Plastic head flange face lock nut	4
21	303030087	nut m6	2
22	303070170	snow shovel rack	2
23	303020213	Cross recessed countersunk head bolt	2
24	303160172	big tensioning plate	1
25	303020154	half-round head square neck bolt	1
26	303070126A	big tension plate	1
27	203100003	tension wheel	1
28	303030059	nut M10	1
29	303043019	Butterfly gasket	1
30	303160175	large tensioning plate tension spring	1
31	303160525	New blade positioning sleeve	1
32	303100040	ball bearing	1
33	303070233A	bearing pressure plate	1
34	303160143	big triangle pulley	1
35	303110014	flat key	1
36	303042005	flat washer	1
37	303020457	Outer hexagonal bolt	1
38	302040065	V-belt	1

39	303190326	engine 250FDS	1
40	303160191	small tension plate spacer	1
41	303070202A	Electrophoretic small tensioning plate	2
42	303020265	Outer hexagonal bolt	1
43	303130094	Friction wheel bracket spring	1
44	303160432	screw	1
45	303060060	bushing	1
46	303060041	Small synchronous	1
47	PJ303160B	flat key	1
48	303160151	Little triangle pulley	1
49	303160BBC	Outer hexagonal bolt	1
50	303042023	flat washer	2
51	303080144	belt stop lever	1
52	303043016	washer	1
53	303030066	normal Hex Bolt	4
54	303041022	washer	2
55	203020364	guide wheel	1
56	303070418A	guide plater	1
57	303020444	hex washer screw	1
58	303181546	Fork riveting	1
59	303042069	flat washer	2
60	303181036	Clutch operation poel platen welding	1
61	303071631	paddle shift	1
62	303071243	new guide plate	1
63	303160177	guide screw	1
64	303181066	case welding	1
65	203070078	Big Board	1
66	303020248	hex washer screw	2
67	303070133A	guide plate	1
68	303042004	flat washer	2
69	303180037	drive holder welding	1
70	303130073	Traveling bracket tension spring1	2
71	303130072	Traveling bracket tension spring 2	1
72	202160004	Friction disc combination	1
73	303160308	Friction disc bracket shaft bushing	1
74	303042042	flat washer	1
75	303121011	cotter	2
76	303020494	hex washer screw	1
77	303160445B	wheel style 6 squre shaft	1
78	202170002	Wheel type friction wheel	1

79	303100051	6203ZNball bearing	2
80	302040026	synchronous belt	1
81	203050051	safety cover	1
82	303122002	latch assembly	2
83	302090382	tire assembly right	1
84	303050028	shaft ring	1
85	303160140	Gear Wheel	1
86	303110022	woodruff key	1
87	303123046	elastic cylindrical pin	1
88	303170016A	wheel shaft	1
89	303060030	Six side bushing	2
90	203050140	Wheel Spacer	2
91	30209038	tire assembly left	1
92	303200161	chute cable	1
93	303181368	chute	1
94	303181369	chute	1
95	302100002	Safety support rubber ring	2
96	203020898	Fastener	1
97	306010034	Fastener	2
98	303020274	Outer hexagonal bolt	1
99	303181548	support pipe	1
100	303160865	support rod wire	1
101	303130369	pressure spring	1
102	303071056A	Positioning plate	1
103	203020380	dental pad	2
104	303071053	chute rotation fixing plate	1
105	302080079	steel chute rubber	1
106	306110039	steel rivet	5
107	202180003	snow cylinder steering gear	1
108	303020084	Cross recessed half round head bolt	1
109	202180004	small steering gear	1
110	203010817	snow cylinder steering gear	1
111	303010026	Cross recessed countersunk head tapping screws	2
112	303160845	Butterfly gasket	1
113	303080518A	Z-bar	1
114	203021540	rocker lever	1
115	303050029	retaining ring for shaft	1
116	303020240	hex washer screw	4
117	303160907	lower handle	1
118	303020140	T screw	4

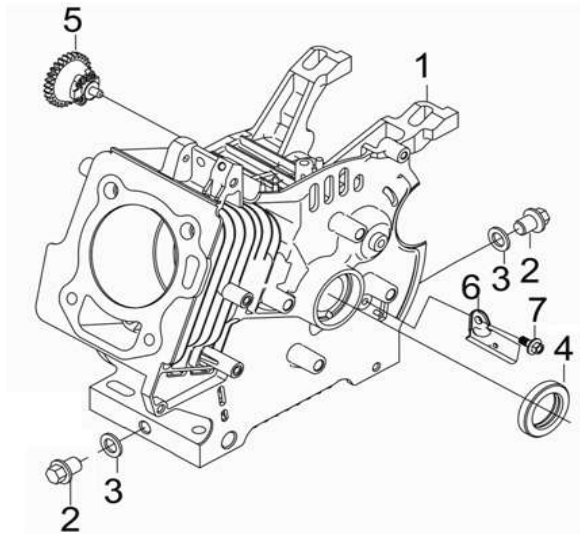
119	303043010	cupped washer	4
120	203020865A	yuanbao know	4
121	303030026	Thickened ordinary nut	4
122	303181466	up handle	1
123	303080674	Rocker support rod	1
124	302080018	Rocker rubber ring	1
125	203051135	plastic cleaning tools	1
126	303200012	Lower Auger Cable	2
127	202580001	Gear linkage combination	1
128	301040136C	connection line	1
129	303200060A	Upper Auger Cable	1
130	303200103	Upper Drive Cable	1
131	203050682	self lock seat	2
132	303020486	hex washer screw	2
133	306110038	Coreless aluminum rivets	8
134	203070097	hot-heat handle	2
135	303071335	Auger Trigger left	1
136	303030025	cap nut	2
137	303071336	Auger Trigger right	1
138	303071499	self locking spring	1
139	303160790	Cross recessed half round head bolt	2
140	303060158	right Self-locking seat	1
141	303170030	self lock gear	1
142	303060157	left Self-locking seat	1
143	303020072	Outer hexagonal bolt	2
144	202290047	Walking control panel	1
145	303071549	Traveling fixed plate electrophoresis component	2
146	202290040	chute control rod welding	1
147	303130325	pul-out spring	2
148	203050731	controller	1
149	303010159	Cross recessed countersunk head tapping screws	4
150	301100037	switch	2
151	301040130	connection Line	3
152	203050728	panel	1
153	303020275	Outer hexagonal bolt	4
154	203050730	Lamp cover	1
155	301013055	Light board	1
156	203050729	lampshade	1





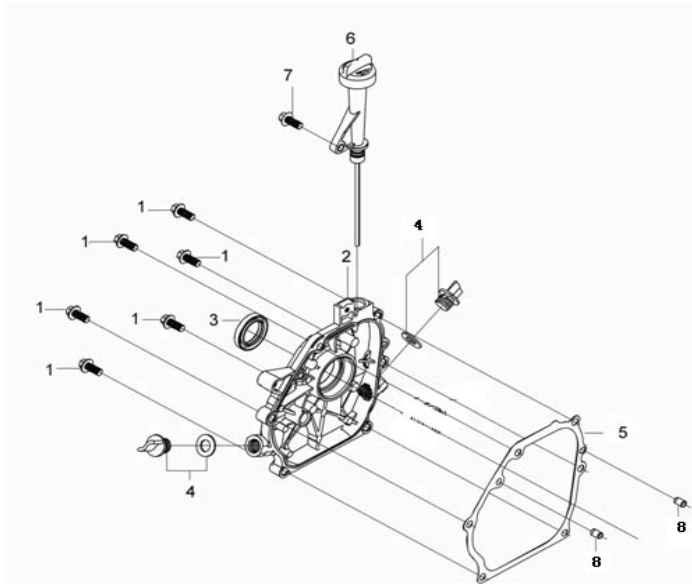
### Cylinder head

Pozice	Obj.číslo	Popis	Počet
1	380140002-0006	Hexagon bolt with flange	4
2	120230138-0001	Cylinder head cover	1
3	380741171-0001	Breather tube	1
4	150290027-0001	Engine oil Strainer	1
5	110850026-0001	PACKING, BREATHER CHAMBER	1
6	110840034-0001	CAP,BREATHER CHAMBER	1
7	380140429-0001	Hexagon bolt with flange	2
8	120250052-0001	Gasket for cylinder head cover	1
9	380140454-0002	Hexagon bolt with flange	4
10	380180098-0001	Stud	2
11	270960014-0001	Spark plug	1
12	120080636-0001	Cylinder head	1
13	120150216-0001	Gasket for cylinder head	1
14	380600116-0001	ocation pin	2
15	380140089-0003	Hexagon bolt with flange	3
16	160190084-0001	air deflector	1
17	180650116-0001	Outlet gasket	1
18	380180093-0001	Stud	2



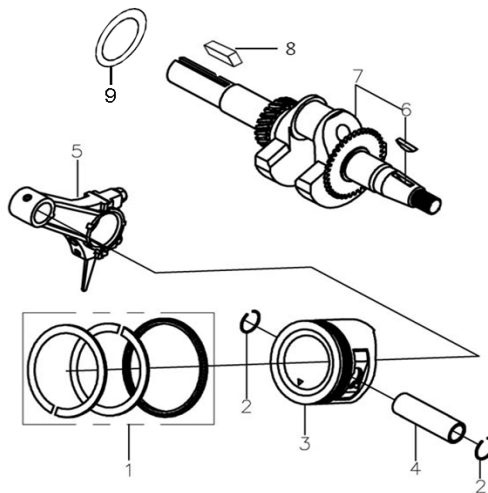
### Crankcase body

Pozice	Obj.číslo	Popis	Počet
1	110810304-0001	Crankcase body	1
2	110260025-0001	Sealing plug screw	2
3	380450514-0001	Flat washer	3
4	380650490-0002	Oil seal	1
5	171750032-0002	Components of governor gear	1
6	270280025-0001	Tension disc for wire bundle	1
7	380140089-0003	Hexagon bolt with flange	1



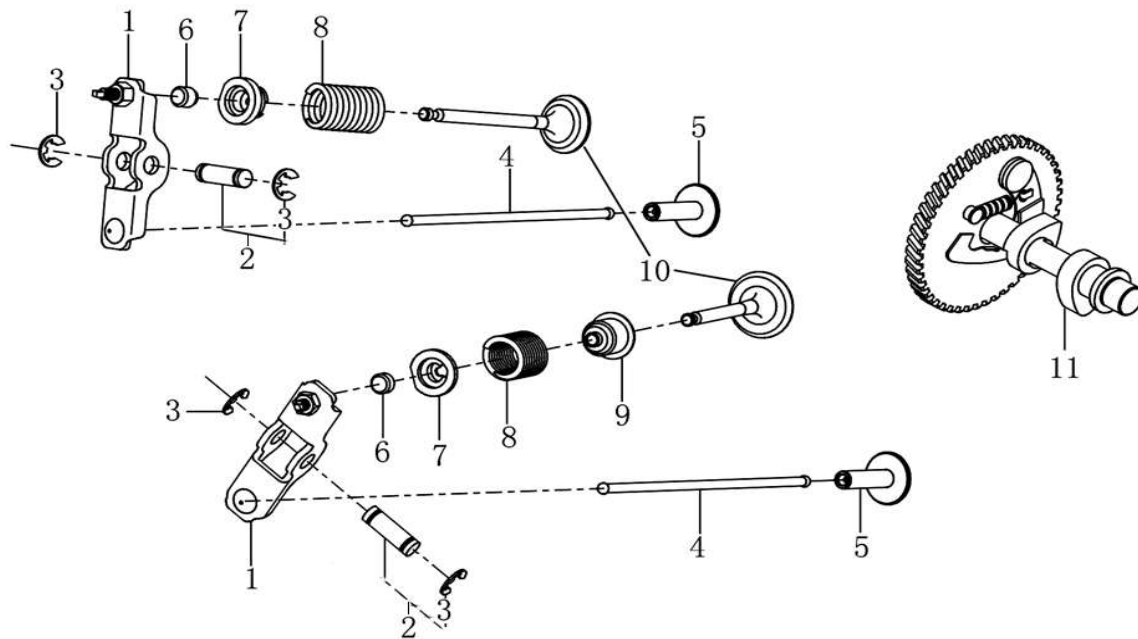
### Crankcase cover

Pozice	Obj.číslo	Popis	Počet
1	380140028-0004	Hexagon bolt with flange	6
2	110820192-0001	Crankcase cover	1
3	380650645-0001	Oil seal	1
4	110690038-0001	Oil rule combination	2
5	110830063-0001	Crankcase cover gasket	1
6	110690081-0001	Oil rule combination	1
7	380140003-0007	Hexagon bolt with flange	1
8	380600120-0001	ocation pin	2



### Crankshaft

Pozice	Obj.číslo	Popis	Počet
1	130070158-0001	Piston ring combination	1
2	380560056-0001	Steel cable baffle ring	2
3	130030245-0001	Piston	1
4	130060031-0001	Piston pin	1
5	130150039-0001	Connecting rod	1
6	380620050-0001	Key	1
7	130290527-0001	crankshaft	1
8	380620040-0001	Key	1
9	380451091-0001	Flat washer	1



### Camshaft

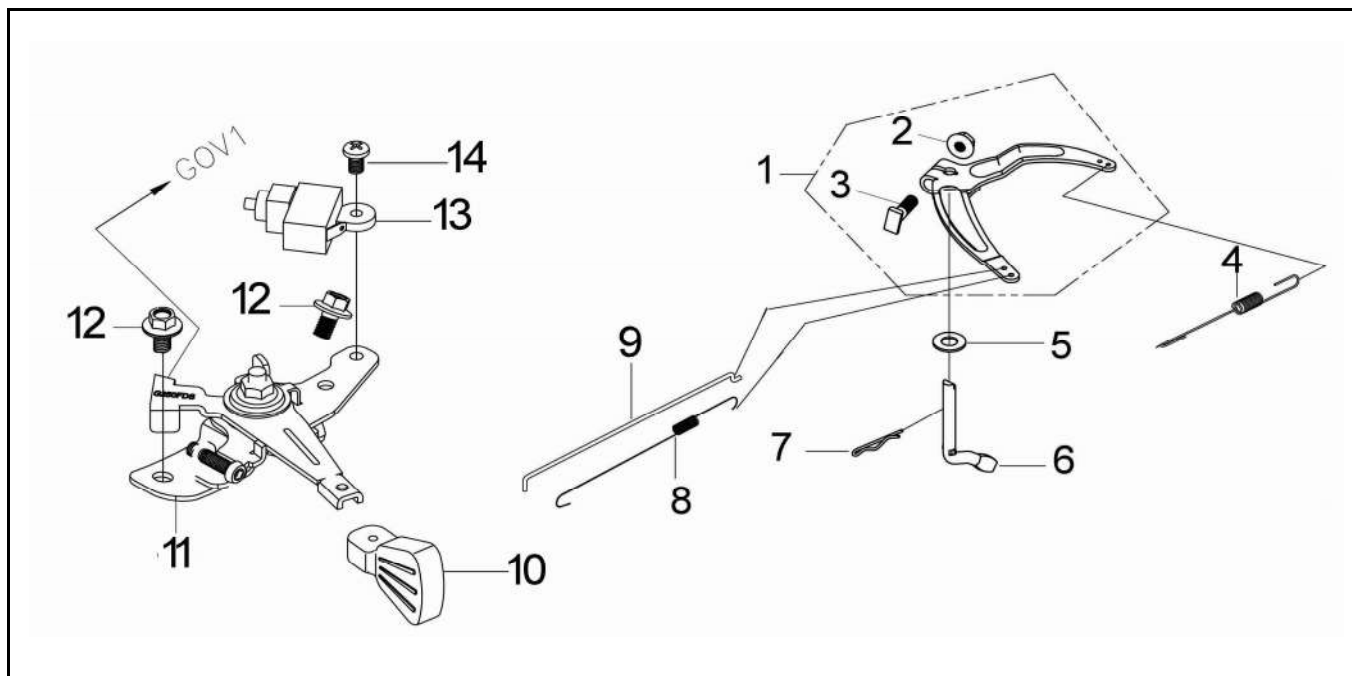
Pozice	Obj.číslo	Popis	Počet
1	140450068-0001	Valve rocker combination	2
2	141730001-0001	Valve rocker shaft	2
3	380570024-0003	Split damping ring	4
4	140670047-0001	Push rod	2
5	140690003-0001	Lifter, Valve	2
6	140320001-0001	Valve adjustment cap	2
7	140380017-0001	Retainer, valve spring	2
8	140340039-0001	Inner spring of valve	2
9	140400016-0001	Valve oil seal	1
10	500550076-0001	Valve Kit	1
11	140020187-0001	Camshaft assy	1











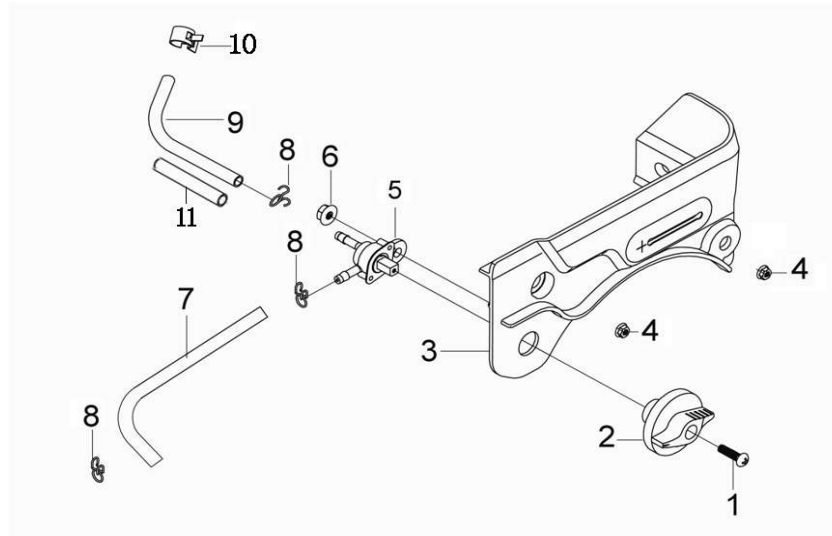
### Control system

Pozice	Obj.číslo	Popis	Počet
1	171620044-0001	Speed regulating bracket	1
2	380370066-0001	Hexagon nut with flange	1
3	380250002-0001	Square head set screw with flat point	1
4	171600096-0001	Governing spring	1
5	380450531-0001	Flat washer	1
6	171630025-0001	Speed regulating arm	1
7	381350004-0001	Pin clip	1
8	171610029-0001	throttle return spring	1
9	171590030-0001	Throttle rod	1
10	173710004-0001	Throttle handle Rubber sleeve	1
11	171680125-0001	Throttle handle combination	1
12	380140089-0003	Hexagon bolt with flange	2
13	271660026-0001	Stop switch	1
14	380200008-0005	Cross recessed pan head screw	1









### Power Decorative plates

Pozice	Obj.číslo	Popis	Počet
1	380200071-0002	Cross recessed pan head screw	1
2	173260001-0002	Oil switch knob	1
3	661280020-0001	Power Decorative plates	1
4	380370048-0003	Hexagon nut with flange	2
5	170980081-0001	Components of oil switch	1
6	380370048-0001	Hexagon nut with flange	1
7	380750767-0001	Oil tube	1
8	380950188-0001	Pipe clip	3
9	380750803-0001	Oil tube	1
10	380960121-0005	Clip combination	1
11	380770209-0001	Protective sleeve	1

